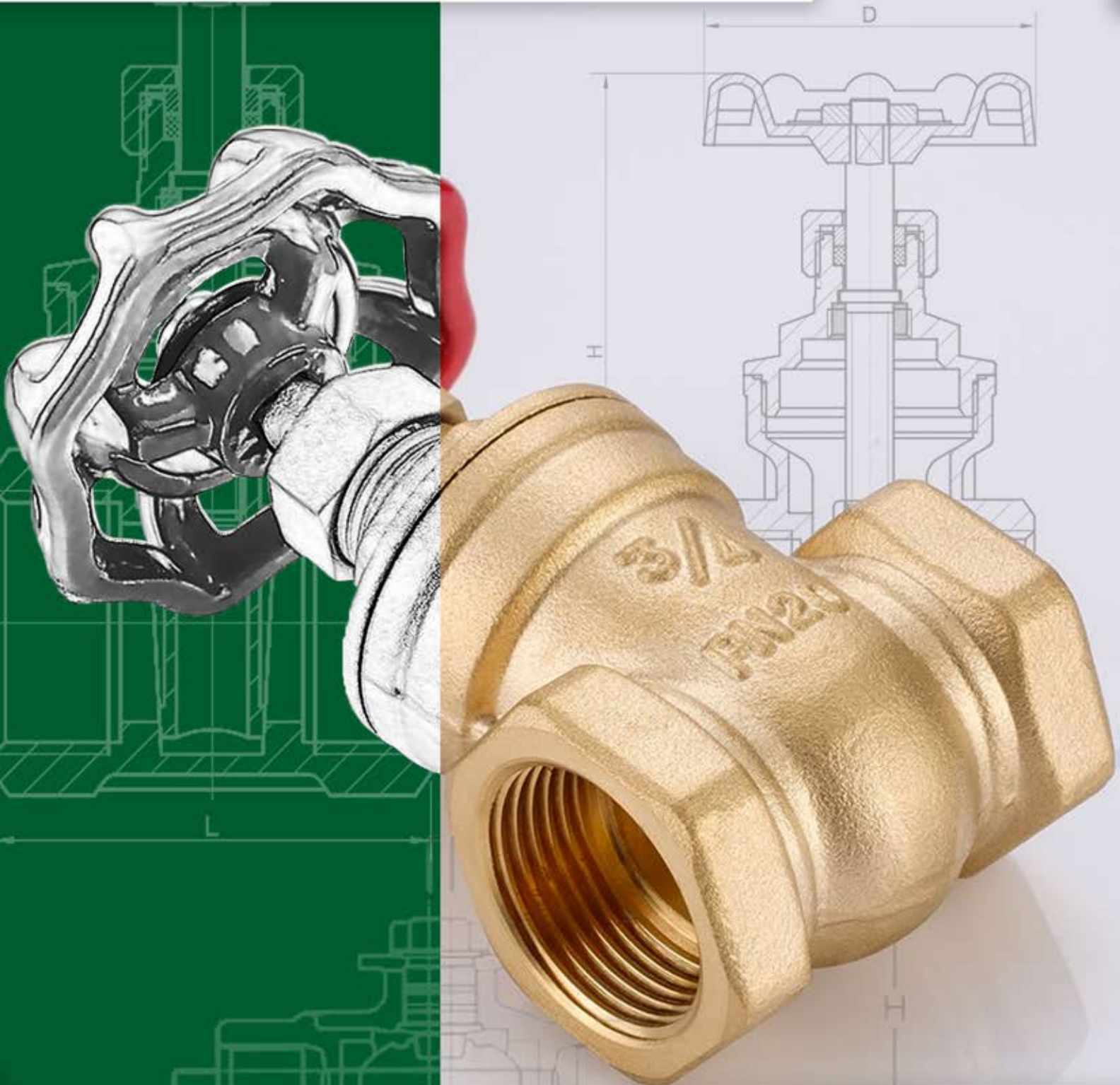


ECOTECH

100% GERMAN ENGINEERED 

ECOTECH ADVANCE VALVES | CATALOGUE



DROP FORGE BRASS VALVES

ECOTECH

100% GERMAN ENGINEERED 

ECOTECH BRASS VALVES ADVANTAGES



GERMAN
ENGINEERED



COMPLETE RANGE



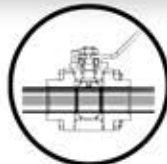
HOT & COLD



HEAVY-DUTY TYPE



SUPERIOR
FORMULATION



FULL-BORE
TECHNOLOGY



ANTI-BLOW OUT
TECHNOLOGY



HIGH-QUALITY
DZR BRASS



• EUROPEAN DESIGN

Ecotech Brass Valves adapts German-based aesthetics and function ensuring reliability. Its heavy-duty mold and award-winning design allow greater flow rates than typical valves in the market.

• ECO-FRIENDLY

Ecotech Valves poses no negative effects on human health. It has anti-bacterial properties that destroys live bacteria in your waterlines. It employs Aramid Fiber PTFE as the material in the asbestos-free gland packing, which meets the latest industrial requirement to minimize pollution.

• ENHANCED PERFORMANCE

It can withstand temperature ranges from -15 C to 200 C with an operating life of at least 50 years at 20 C . Its pressure tolerance is also higher with upper ranges of around 1,500 PSI brought about by superior materials and formulation.

• ADVANCE STRUCTURE

Ecotech Valves are designed using Full-bore Technology allowing the maximum utilization of water flow. Ecotech Valves are equipped with Anti-blow out Technology to ensure better durability. They are made with best DZR or HPb 60-3 brass available.

ECOTECH MATERIALS

CW 602



VS

HPb 57-1



Higher durability. Higher copper content. Advance technology and formulation. The valves are built with the highest grade of brass available in the market with HPb 59-1 / CW 602 grade compared to the standard HPb 56-4 brass valves which contains more than 10% more copper content.

In addition, DZR brass is used in other Ecotech Valves. DZR (Dezincification Resistant) Brass is a type of brass which gives resistance to dezincification corrosion. This ensures superior quality and durability compared to the typical brass valves in the market.

INTERNATIONALLY CERTIFIED



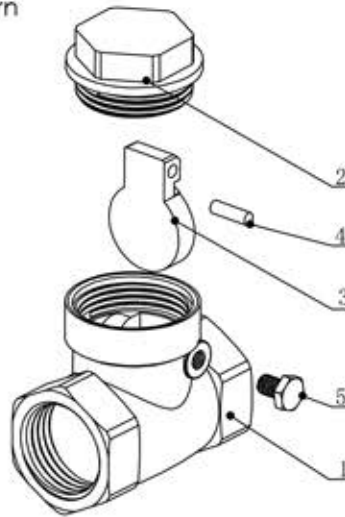
ECOTECH

100% GERMAN ENGINEERED 

CHECK VALVE SPECIFICATIONS

SPECIFICATION

Operating Pressure PN20
 W.O.G Non-shock 2.07 MPa (300 psi)
 Screwed-in Bonnet • Solid Wedge Disk • Non-rising
 Stem • Full Bore Design • Metal Seated • SS 326
 Hinge Pin • Integral Seat • Asbestos-Free • Auto
 close for Reverse Flow • Horizontal Swing Pattern
 Threaded to BS EN 10226-2 (ISO 7-1)



MATERIALS SPECIFICATION

Item	Parts	Materials
1	Body	DZR Brass CW602
2	Cap	DZR Brass CW602
3	Disc	DZR Brass CW602
4	Identification Plate	Aluminum
5	Drive Pin	Steel Electro Brassed

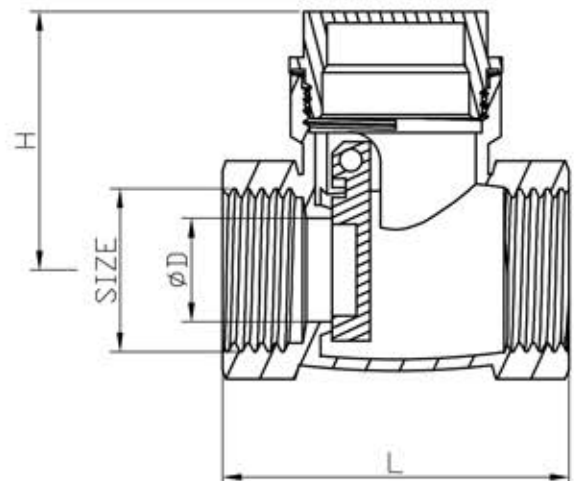
DIMENSIONS AND OPERATING PRESSURE

DIMENSIONS

Normal size	(inch)	½	¾	1	1¼	1½	2	2½	3	4
	(mm)	15	20	25	32	40	50	65	80	100
L		47	57	65	66	76	94	93.5	110	135
H		34	38	45	49	56	65	76	80	89
D		13	19	22	29	33	38	50	60	80

OPERATING PRESSURE

TEMPERATURE (C)	-10 TO 20	40	50	65	80	90	100	110	120
PRESSURE (Bar)	20	14.3	12.6	10	8.7	7.8	6.9	6.0	5.0



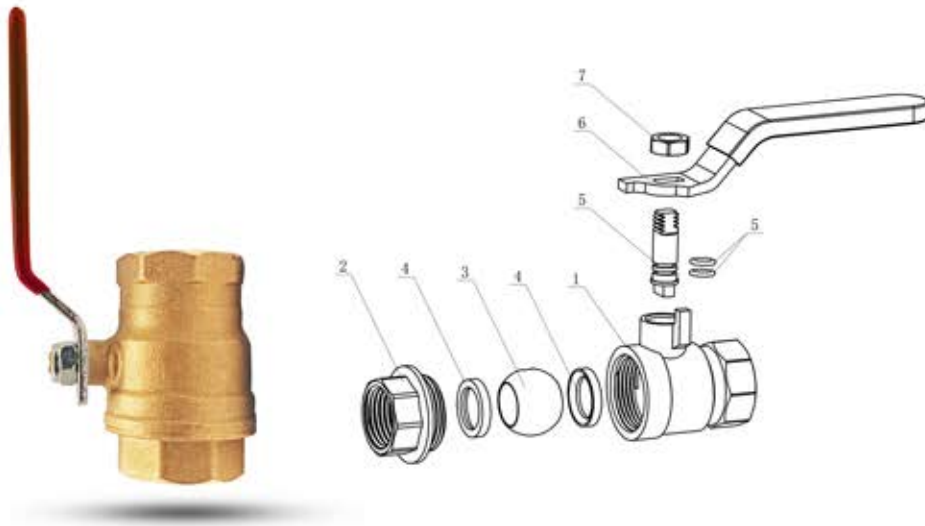
ECOTECH

100% GERMAN ENGINEERED 

BALL VALVE SPECIFICATIONS

SPECIFICATION

Operating Pressure PN25
 W.O.G Non-shock 4.16 MPa (600 psi)
 Bottled Body and Cap • PTFE Seats • Blowout Proof
 Stem • Tight Shut-off • Secondary O-Ring Seal
 Threaded to BS EN 10226-2 (ISO 7-1)



MATERIALS SPECIFICATION

Item	Parts	Materials
1	Body	DZR Brass CW602
2	Cap	DZR Brass CW602
3	Ball	DZR Brass CW602
4	Sealing Ring	PTFE
5	Stem	DZR Brass CW602
6	Screw	Iron
7	Handle	Iron
8	O-Ring	NBR

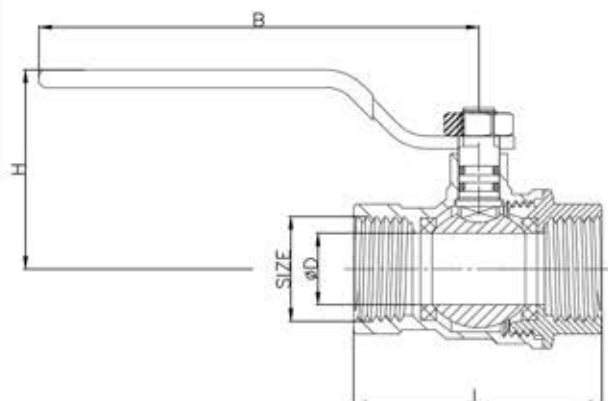
DIMENSIONS AND OPERATING PRESSURE

DIMENSIONS

Normal size	(inch)	½	¾	1	1¼	1½	2	2½	3	4
	(mm)	15	20	25	32	40	50	65	80	100
L		55	65	75	85	94	114	145	172	198
H		41	45	52	57	68	75	105	118	138
B		98	98	125	150	150	165	165	300	300

OPERATING PRESSURE

NONE GAS APPLICATION TEMPERATURE (C)	-10 TO 100	120	NATURAL GAS TEMPERATURE (C)	20 TO 60
PRESSURE (Ba)	25	14.3	PRESSURE (Ba)	5



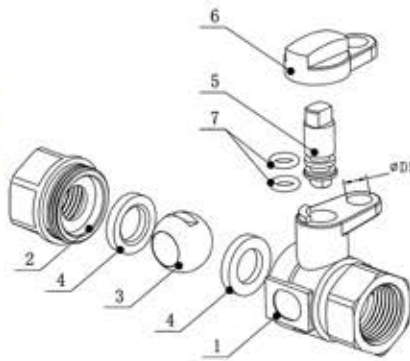
ECOTECH

100% GERMAN ENGINEERED 

BALL VALVE WITH LOCKWING SPECIFICATIONS

SPECIFICATION

Operating Pressure PN20
 W.O.G Non-shock 2.07 MPa (300 psi)
 Solid Wedge Disk • Non-rising
 Stem • Full Bore Design • Metal Seated • SS 326
 Hinge Pin • Integral Seat • Asbestos-Free
 Threaded to BS EN 10226-2 (ISO 7-1)



MATERIALS SPECIFICATION

Item	Parts	Materials
1	Body	DZR Brass CW602
2	Cap	DZR Brass CW602
3	Ball	DZR Brass CW602
4	Sealing Ring	PTFE
5	Stem	DZR Brass CW602
6	Handle	DZR Brass CW602
7	O-Ring	NBR

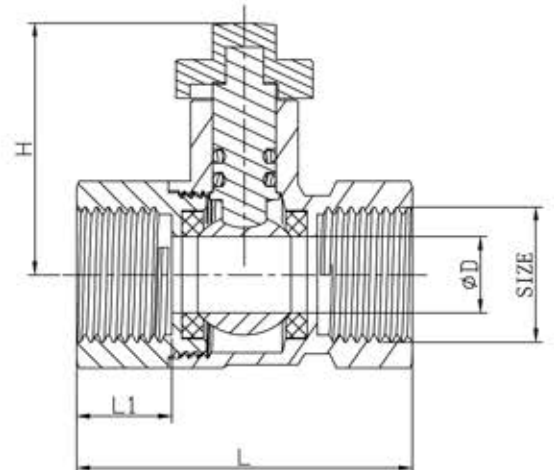
DIMENSIONS AND OPERATING PRESSURE

DIMENSIONS

Normal size	(Inch)	½	¾	1
	(mm)	15	20	25
L		53	65	69
H		42	51	51
D		12	19	23

OPERATING PRESSURE

TEMPERATURE (C)	-10 TO 20	40	50	65	80	90	100	110	120
PRESSURE (Bar)	20	14.3	12.6	10	8.7	7.8	6.9	6.0	5.0



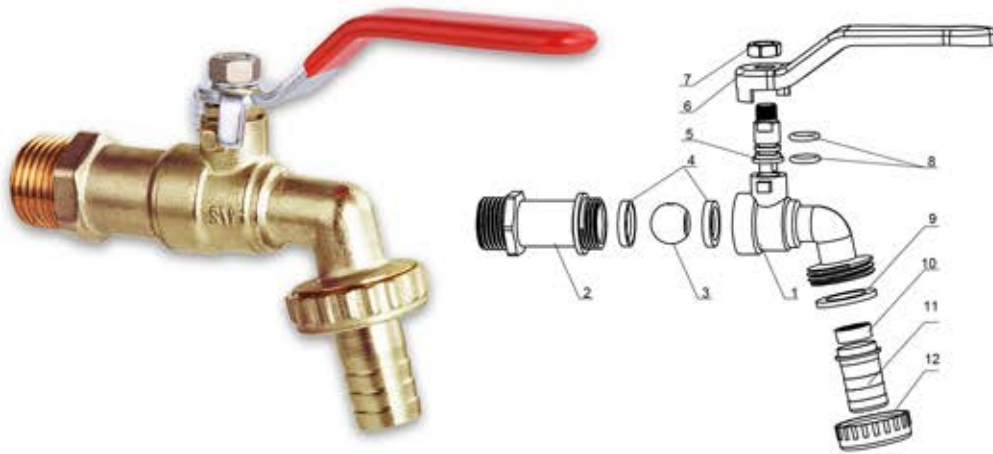
ECOTECH

100% GERMAN ENGINEERED 

HOSE BIBB SPECIFICATIONS

SPECIFICATION

W.O.G. Non-shock 2.07 MPa (300 psi)
 Forged Brass Material • Full-bore Design
 Aluminum Handle • Long Handle
 Nickel Plating • PTFE Seats • Tight Shut-off
 Stainless Steel Locknut • Secondary O-Ring
 Seal • With Hose Connector
 Threaded to BS EN 10226-2 (ISO 7-1)



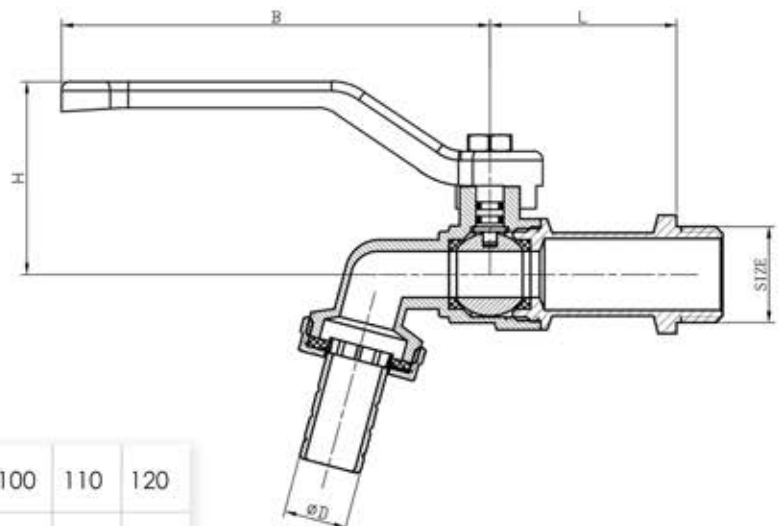
MATERIALS SPECIFICATION

Item	Parts	Materials
1	Body	DZR Brass CW602
2	Cap	DZR Brass CW602
3	Ball	Iron
4	Sealing Ring	PTFE
5	Stem	DZR Brass CW602
6	Handle	Iron
7	Nut	Iron
8	O-Ring	NBR
9	Sealing Ring	NBR
10	Bubbler	PE
11	Outlet	SS
12	Cap	DZR Brass CW602

DIMENSIONS AND OPERATING PRESSURE

DIMENSIONS

Normal size	(inch)	½	¾
	(mm)	15	20
D		15.2	19
L		42.5	55
H		42	55
B		94	122



OPERATING PRESSURE

TEMPERATURE (C)	-10 TO 20	40	50	65	80	90	100	110	120
PRESSURE (Ba)	20	14.3	12.6	10	8.7	7.8	6.9	6.0	5.0

ECOTECH

100% GERMAN ENGINEERED 

GATE VALVE SPECIFICATIONS

SPECIFICATION

Operating Pressure PN20
 W.O.G Non-shock 2.07 MPa (300 psi) • Screwed-in
 Bonnet • Full Bore Design • Solid Wedge Disk
 Non-rising Stem • Integral Seat • Asbestos-Free
 Threaded to BS EN 10226-2 (ISO 7-1)



MATERIALS SPECIFICATION

Item	Parts	Materials
1	Body	DZR Brass CW602
2	Bonnet	DZR Brass CW602
3	Wedge	DZR Brass CW602
4	O-ring	NBR
5	Stem	DZR Brass CW602
6	Nut	DZR Brass CW602
7	Wheel	Aluminum
8	Name Plate	Aluminum
9	Nut	Aluminum

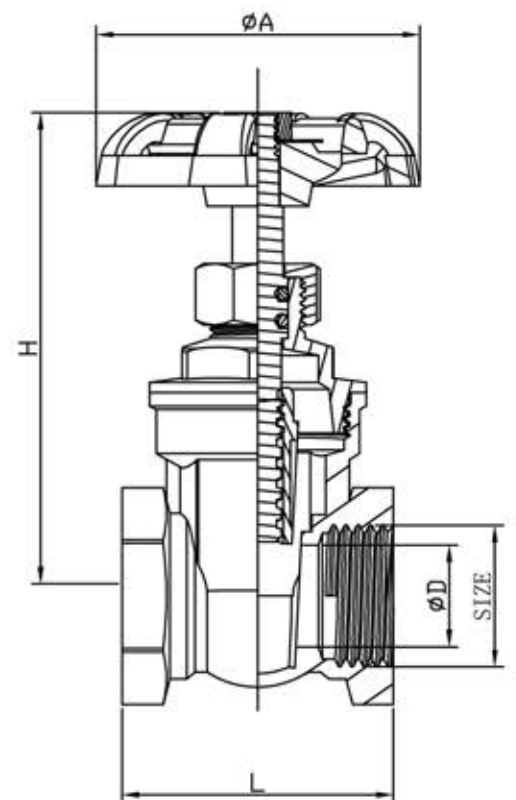
DIMENSIONS AND OPERATING PRESSURE

DIMENSIONS

Normal size	(inch)	½	¾	1	1¼	1½	2	2½	3	4
	(mm)	15	20	25	32	40	50	65	80	100
D		13	19	25	29	32	48	54	67	76
L		42	47	50	62.5	66	68	82	89	104
H		70	79	82	101	125	150	165	200	210
A		52	52	62	77	77	86	95	110	132
G		250	380	470	675	920	1550	2200	3200	5850

OPERATING PRESSURE

TEMPERATURE (C)	-10 TO 20	40	50	65	80	90	100	110	120
PRESSURE (Ba)	20	14.3	12.6	10	8.7	7.8	6.9	6.0	5.0



ECOTECH

100% GERMAN ENGINEERED 

ECOTECH ADVANCED VALVES | CATALOGUE



EXTREM QUALITÄT
UND LEISTUNG

Extreme Quality and Performance

EXCLUSIVELY DISTRIBUTED BY:



 sales@techglobal.com.ph

 [@techglobalinc](https://www.facebook.com/techglobalinc)

 [@techglobal.incorporated](https://www.instagram.com/techglobal.incorporated)

 Cellphone No.: 0968 871 9888 / 0917 551 8889 / 0917 144 8889 / 0968 851 5888

 Landline No.: 8659-4267 / 8660-3706 / 8660-3723

